

PEPA



calma.



pepa



SENYORA PEPA LOUNGE ARMCHAIR

An origami-like seating system that is incredibly flexible.

Different material and frame combinations define the Senyora Pepa seating collection. The covers can be removed and changed in an instant.

Each with its own distinctive personality, they can easily feel at home indoors and outdoors, enjoying the Mediterranean sun or keeping warm by a wood-burning stove.

DESIGN:
ANDREU CARULLA





STACKABLE LOUNGE CHAIR

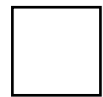
The structure is formed by 12mm steel rods that are bent to meet tangentially. Carefully spot-welded, this minimises the amount of joints. Galvanised and then powder coated in the oven, this gives it an anti-oxidant protection.

Where the structure meets the ground, round corners are protected with nylon feet.

The seat and backrest are both 65cm wide in Sunbrella fabric with removable padding. Cushions in laminated Sunbrella fabric with heat-sealed seams.

MATERIALS / COLOURS

Steel Frame

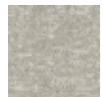


11 white

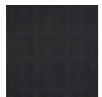


14 mocca

Sunbrella Chartres

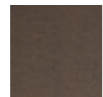


J191 Grey



J182 Sooty

Cushions: Sunbrella Chartres

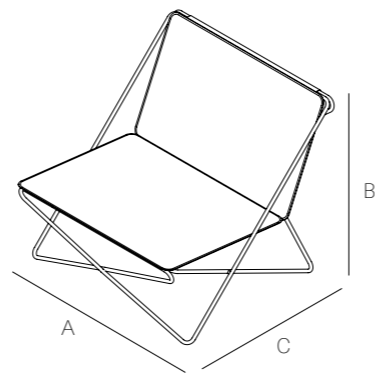


J181 Bronze



J186 Antique

SIZE	REF. 565	
WIDTH	73 CM	28"
DEPTH	75 CM	29"
HEIGHT	66 CM	26"
N.W.	12,5 KG	



UN/BOX:	2/1
BOX SIZE:	78X81X77 CM
VOL:	0,483 M3
G.W.:	27 KG



pepa

DESIGN: ANDREU CARULLA



STACKABLE CHAIR

The structures are made of 12 mm diameter stainless steel tube that connect straight sections with curved sections, joined by careful welding to minimize the joints. The finish is given with the powder paint in the oven, after treatment of antioxidant protection based on galvanized.

The feet are formed by spokes, all equal, which allow the coupling of nylon stops with the shape of the radius of the tube and thus avoid direct contact of the metal with the pavement.

Seat and back of a 43 cm wide piece in Sunbrella fabrics, with removable padded inserts.

SIZE	REF. 543	
WIDTH	73 CM	28"
DEPTH	75 CM	29"
HEIGHT	66 CM	26"
N.W.	12,5 KG	

MATERIALS / COLOURS

Steel Frame



11 white



14 mocca

Sunbrella Chartres



J191 Grey

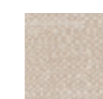


J182 Sooty

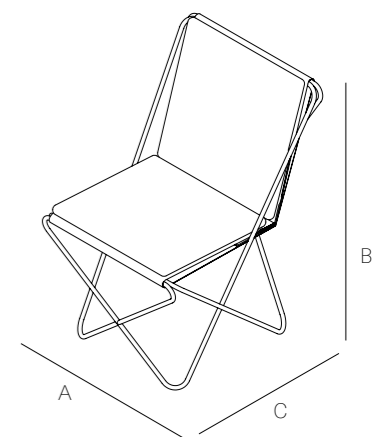
Cushions: Sunbrella Chartres



J181 Bronze



J186 Antique



UN/BOX:	2/1	
BOX SIZE:	78X81X77 CM	
VOL:	0,483 M3	
G.W.:	27 KG	



MEDITERRANEAN
OUTDOOR FURNITURE
ALT EMPORDÀ, GIRONA

AVDA. EUROPA 22
POLÍGON INDUSTRIAL
EMPORDÀ INTERNACIONAL
17469 VILAMALLA-SPAIN

CONTACT
T.+34 972 52 70 89
INFO@CALMA.CAT
CALMAOUTDOOR.COM

INSTAGRAM:
@CALMAOUTDOOR
#LIFEWITHCALMA



calma.